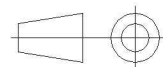
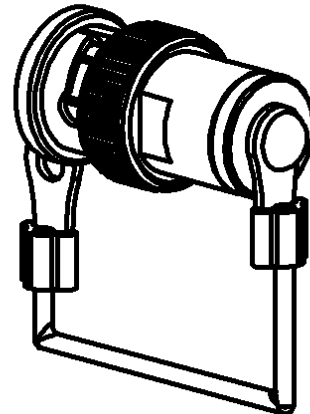
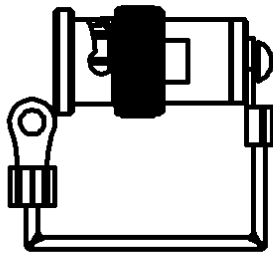
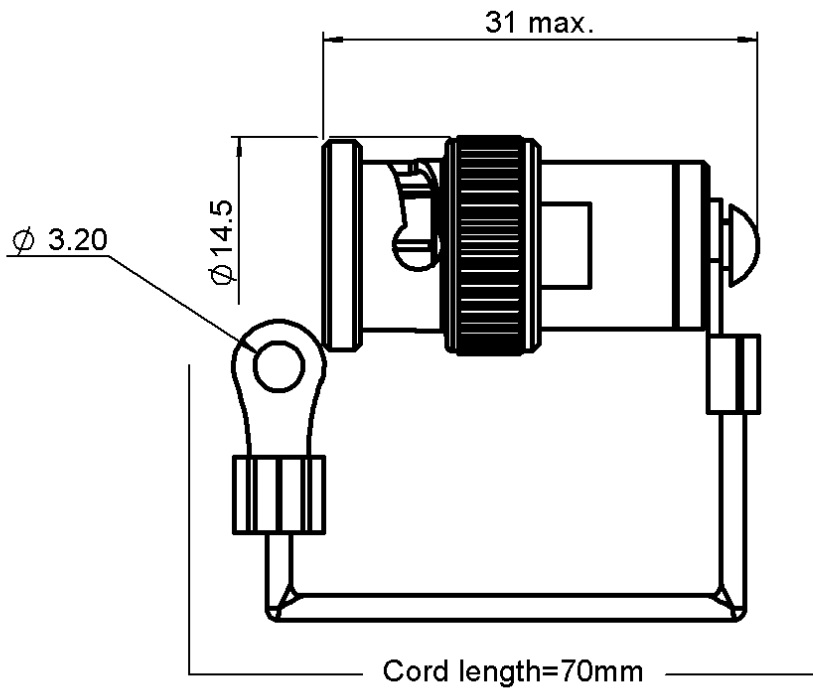


BNC MALE COAXIAL TERMINATION

4 GHZ 1W 50 OHMS

R404.111.121

Series : **TERMINATION**



All dimensions are in mm.

COMPONENTS	MATERIALS	PLATING(μm)
BODY	BRASS	NICKEL 2
CENTER CONTACT	BRASS	GOLD 0.7 to 1 over NICKEL 2
OUTER CONTACT	BRASS	NICKEL 2
INSULATOR	PTFE	
GASKET	SILICONE	
SUBSTRATE		
RESISTOR		
OTHERS PARTS		

Issue : 0812 A

In the effort to improve our products, we reserve the right to make changes judged to be necessary.

RADIALL 

BNC MALE COAXIAL TERMINATION

R404.111.121

4 GHZ 1W 50 OHMS

Series : **TERMINATION**

ELECTRICAL CHARACTERISTICS

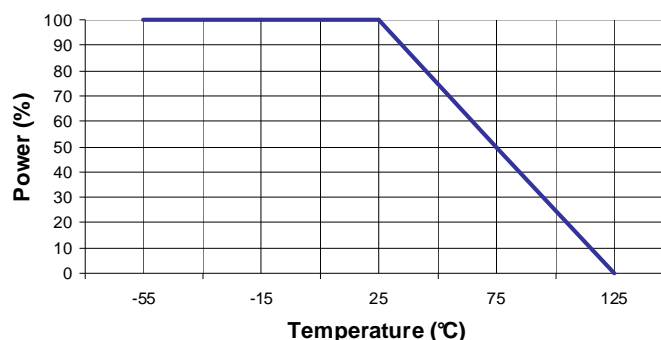
Frequency (GHz)	DC - 1	1 - 4
V.S.W.R (≤)	1.08	1.20

Operating Frequency Range	DC - 4 GHz	GHz
Impedance	50	Ω
Peak power at 25°C (1μs, 1%)	100	W
Average power at 25°C	1	W (Free Air Cooled)
		W (Conduction Cooled)

MECHANICAL CHARACTERISTICS

Connectors	BNC	MALE	
Weight	15,5000 g		

Power derating Versus temperature



ENVIRONMENTAL CHARACTERISTICS

Operating temperature range	-55/+125 °C
Storage temperature range	-55/+125 °C

SPECIFICATION

OTHER CHARACTERISTICS

Issue : 0812 A

In the effort to improve our products, we reserve the right to make changes judged to be necessary.

